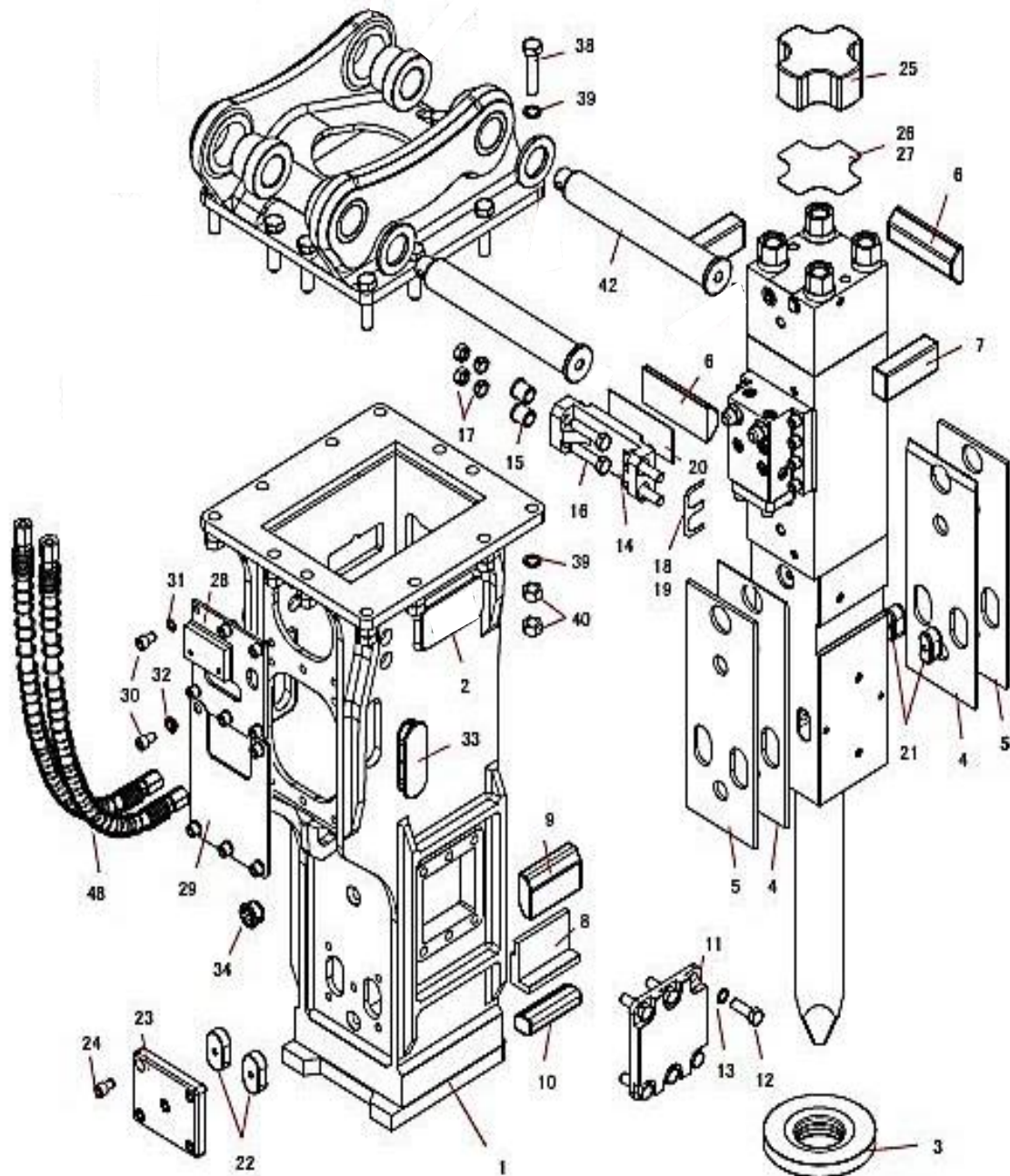


TNB-7J BOX BRACKET



Parts

2018.12.01

No.1

Sym	Part Code	Description	Q'ty	Int	Kit
1	BKT-7J	TOP MOUNT BOX BRACKET	1		
3	7JJ003	LOWER ISOLATOR F	1		
4	7JJ004	SPACER FR	2		
5	7JJ005	ISOLATOR FR	2		
6	7JJ006	ISOLATOR TFR	2		
7	7JJ007	ISOLATOR TLR	2		
8	7JJ008	KEY	2		
9	7JJ009	ISOLATOR SLR	2		
10	7JJ010	ISOLATOR ULR	2		
11	7JJ011	KEY COVER	2		
12	BLT-M20-60	H.T BOLT [M20x60]	12		
13	WASHER-M20	SPRING WASHER [M20]	12		
14	7JJ014	GUIDE PLATE	1		
15	7JJ015	GUIDE BUSH	4		
16	BLT-M20-90	H.T BOLT [M20x90]	4		
17	NUT-M20	H.T NUT [M20]	4		
18	7JJ018	GUIDE PLATE SIM 0.5	1		
19	7JJ019	GUIDE PLATE SIM 1.0	1		
20	7JJ020	SIM G 2.0	1		
21	7JJ021	RETAINER ISOLATOR B	2		
22	7JJ022	RETAINER ISOLATOR A	2		
23	7JJ023	RETAIERN PIN COVER PLATE	1		
24	BLT-M16-25-SH	SHCS BOLT [M16x25]	5		
25	7JJ025	UPPER ISOLATOR	1		
26	7JJ026	ISOLATOR T SIM 1.0	1		
27	7JJ027	ISOLATOR T SIM 2.0	1		
28	7JJ028-2	COVER A	1		
29	7JJ029	COVER B	1		
30	BLT-M16-25-SH	SHCS BOLT [M16x25]	11		
31	WASHER-M16	SPRING WASHER [M16]	6		
32	7JJ032	SLEEVE WASHER	5		
33	151029	SIDE PLUG	2		
34	7JJ034	BRACKET PLUG 40	1		
37	PER MACH. MODEL	TOP CAP BRACKET	1		
38	BLT-M24-100	H.T BOLT [M24-100]	12		
39	WASHER-M24	SPRING WASHER [M24]	24		
40	NUT-M24	H.T NUT [M24]	24		
42	PER MACH. MODEL	BRACKET PIN	2		
48	SGH-2119	HOSE	2		

For Decal and/or Tool Box information, please contact your Dealer

INT(interchangeability)

○ Interchangeable old ↔ new

△ Interchangeable old → new

▲ Interchangeable old ← new

× Not interchangeable