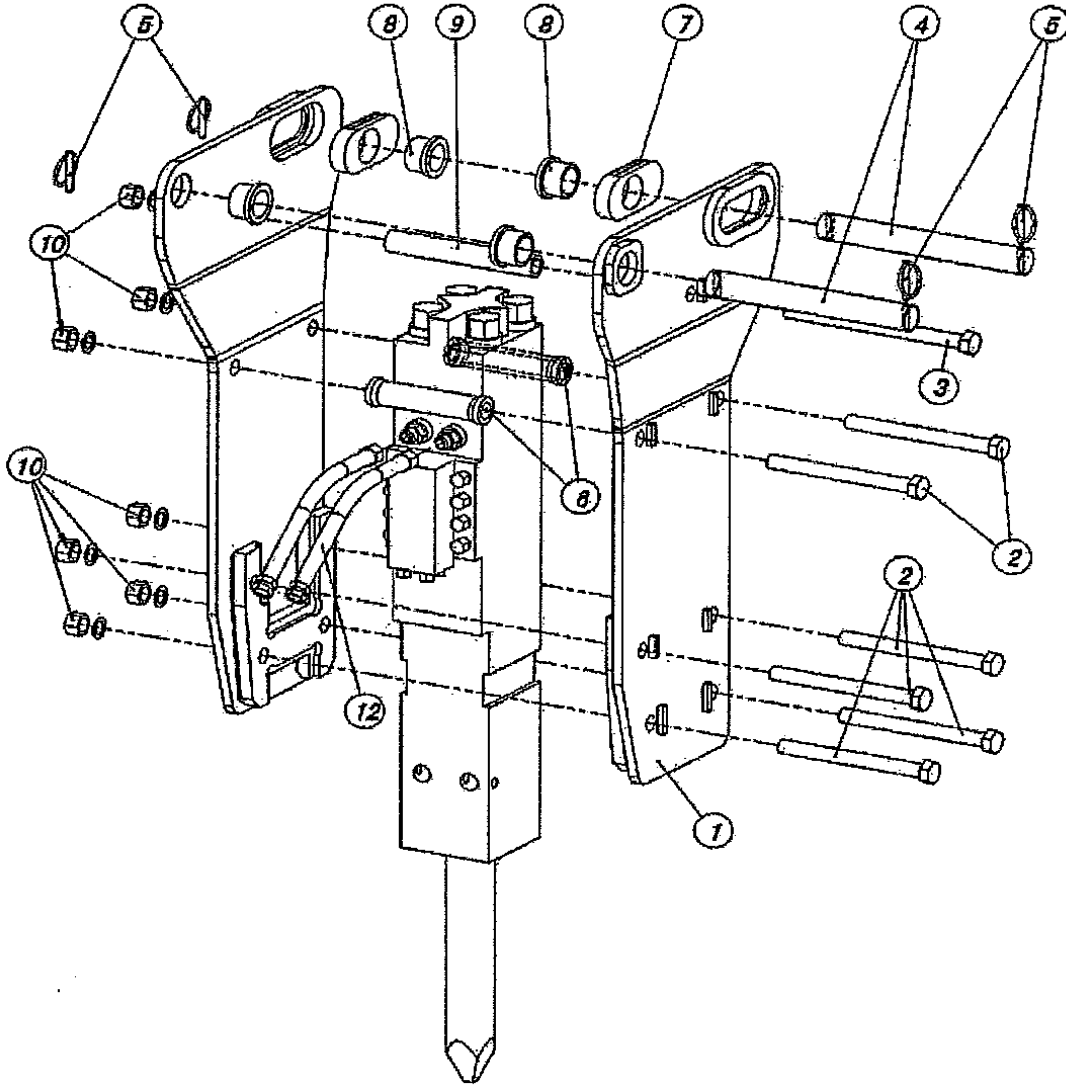


# TNB-6M-TLBQC



NO.	DESCRIPTION	PART CODE	QUANTITY
1	Side Plates	BKT-6M-TLBQC-BD	1 set
2	Bracket Bolts(S)	BLT-M27-265	6
3	Bracket Bolts(L)	BLT-M27-330	1
4	Pins	Per Machine Model	2
5	Lynch Pin	PIN-CLIP	4
6	Spacer(S)	SPACER-24-200	2
7	Oval Insert	Per Machine Model	2
	Round Insert	Per Machine Model	2
8	Bushing	Per Machine Model	4
9	Spacer(L)	SPACER-24-257	1
10	Nut	NUT-M27-LN	7
12	Hose w/Male QD	SGH-2079	1
	Hose w/Female QD	SGH-2090	1
	Moil Point	415118412	1

For Decal and/or Tool Box please contact Your Dealer