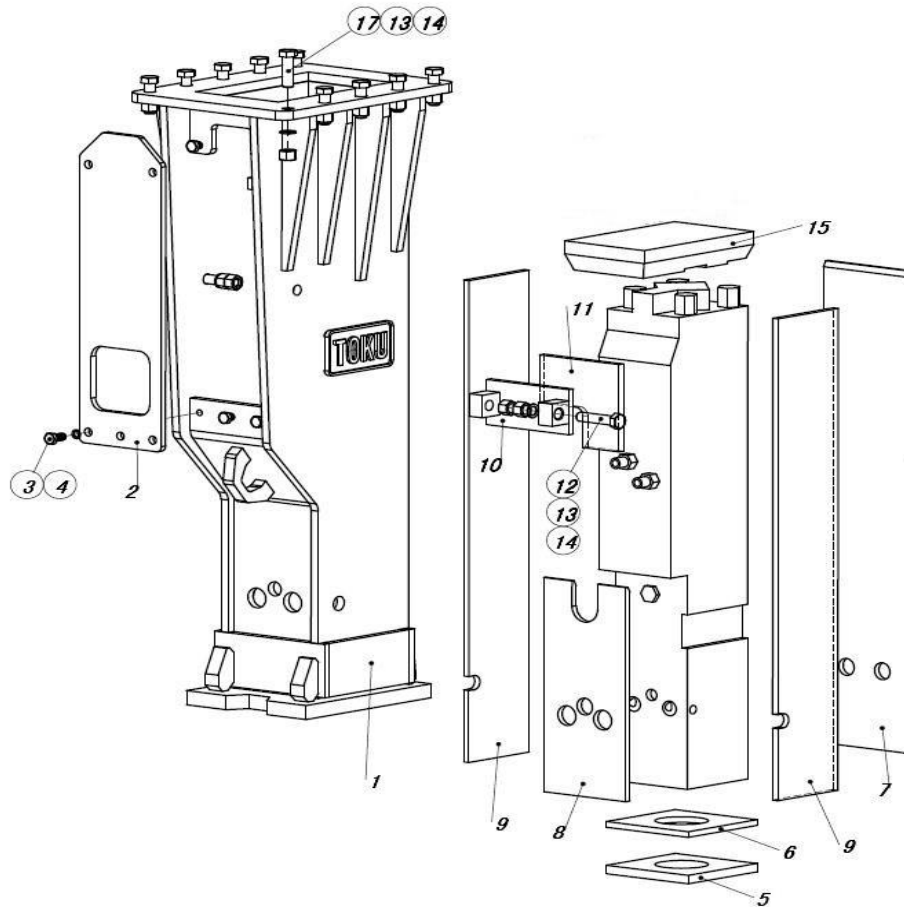


# TNB-4M-BX



NO.	DESCRIPTION	PART CODE	QUANTITY
1	Box Bracket	BKT-4M-BX	1 Set
2	Control valve plate	4M002	1
3	Hex Bolt	BLT-M12-25	5
4	Washer	WASHER-M12	5
5	Under Spacer A	4M008	1
6	Under Spacer B	4M009	1
7	Back spacer	4M010	1
8	Chisel Holder spacer	4M008	1
9	Side Spacer (L,R)	4M009	2
10	Guide Plate	4M010	1
11	Guide Spacer	4M011	1
12	Hex Bolt	BLT-M16-70	2
13	Washer	WASHER-M16	12
14	H.T. Nut	NUT-M16	14
15	Top Cover A	4M015	1
17	Hex Bolt	BLT-M16-55	10