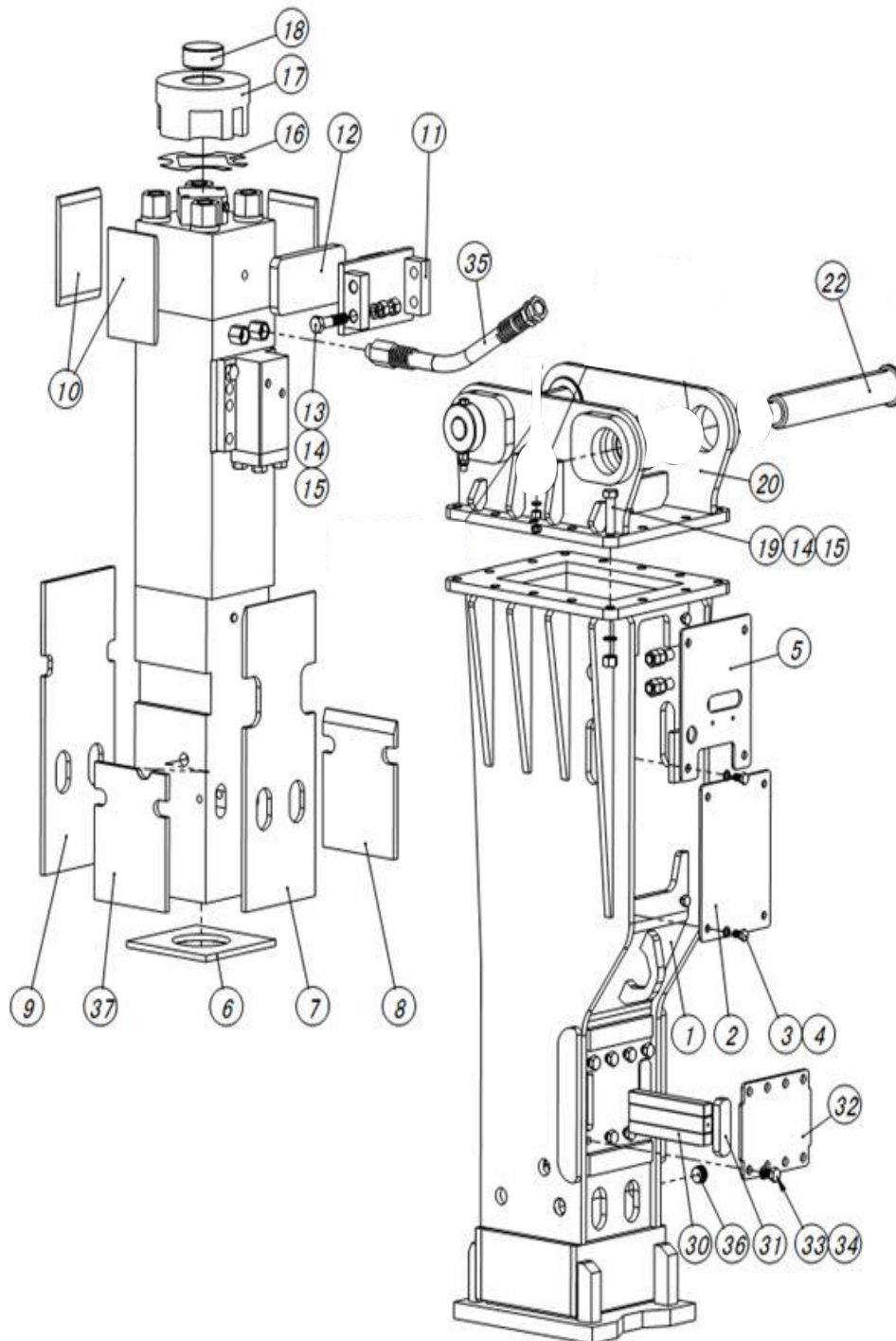


TNB-151LU1 BOX BRACKET



Parts

2018.06.01

No. 1

| Sym | Part Code | Description | Q'ty | Int | Kit |
|-----|-------------------|-----------------------|------|-----|-----|
| 1 | BKT-151LU1 | LU1 BOX BRACKET | 1 | | |
| 2 | 151002 | CONTROL VALVE PLATE | 1 | | B |
| 3 | BLT-M16-35 | H.T BOLT [M16x35] | 8 | | B |
| 4 | WASHER-M16 | RIBBED WASHER [M16] | 8 | | B |
| 5 | 151005 | GAS VALVE COVER PLATE | 1 | | B |
| 6 | 151006 | UNDER SPACER | 1 | | B |
| 7 | 151007-2 | CHISEL HOLDER SPACER | 1 | | B |
| 8 | 151008-2 | SIDE SPACER | 2 | | B |
| 9 | 151009-2 | BACK SPACER | 1 | | B |
| 10 | 151010 | SMALL SPACER | 3 | | B |
| 11 | 151011 | GUIDE PLATE | 1 | | B |
| 12 | 151012 | GUIDE SPACER | 1 | | B |
| 13 | BLT-M24-110 | H.T BOLT [M24x110] | 4 | | B |
| 14 | WASHER-M24 | RIBBED WASHER [M24] | 16 | | B |
| 15 | NUT-M24 | H.T NUT [M24] | 22 | | B |
| 16 | 151016 | ADJUST MAT | 1 | | B |
| 17 | 151017 | ISOLATOR TOP COVER | 1 | | B |
| 18 | 151018 | NYLON POLE | 1 | | B |
| 19 | BLT-M24-80 | H.T BOLT [M24x80] | 14 | | B |
| 20 | PER MACHINE MODEL | TOP CAP | 1 | | |
| 22 | PER MACHINE MODEL | BRACKET PIN KIT | 1 | | T |
| 30 | 151030 | ASSEMBLED LOCALIZER | 2 | | B |
| 31 | 151031 | RUBBER PLATE | 2 | | B |
| 32 | 151032 | COVER PLATE | 1 | | B |
| 33 | WASHER-M20 | RIBBED WASHER [M20] | 8 | | B |
| 34 | BLT-M20-30 | H.T BOLT [M20x30] | 8 | | B |
| 35 | SGH-2109 | HOSE | 2 | | |
| 36 | 136096128 | PLUG ZG1 1/4" | 1 | | B |

Box Bracket CP consists of parts marked "B"

Top Cap consists of parts marked "T"

For Decal and/or Tool Box information, please contact your Dealer

INT(interchangeability)

○ Interchangeable old ↔ new

△ Interchangeable old → new

▲ Interchangeable old ← new

× Not interchangeable