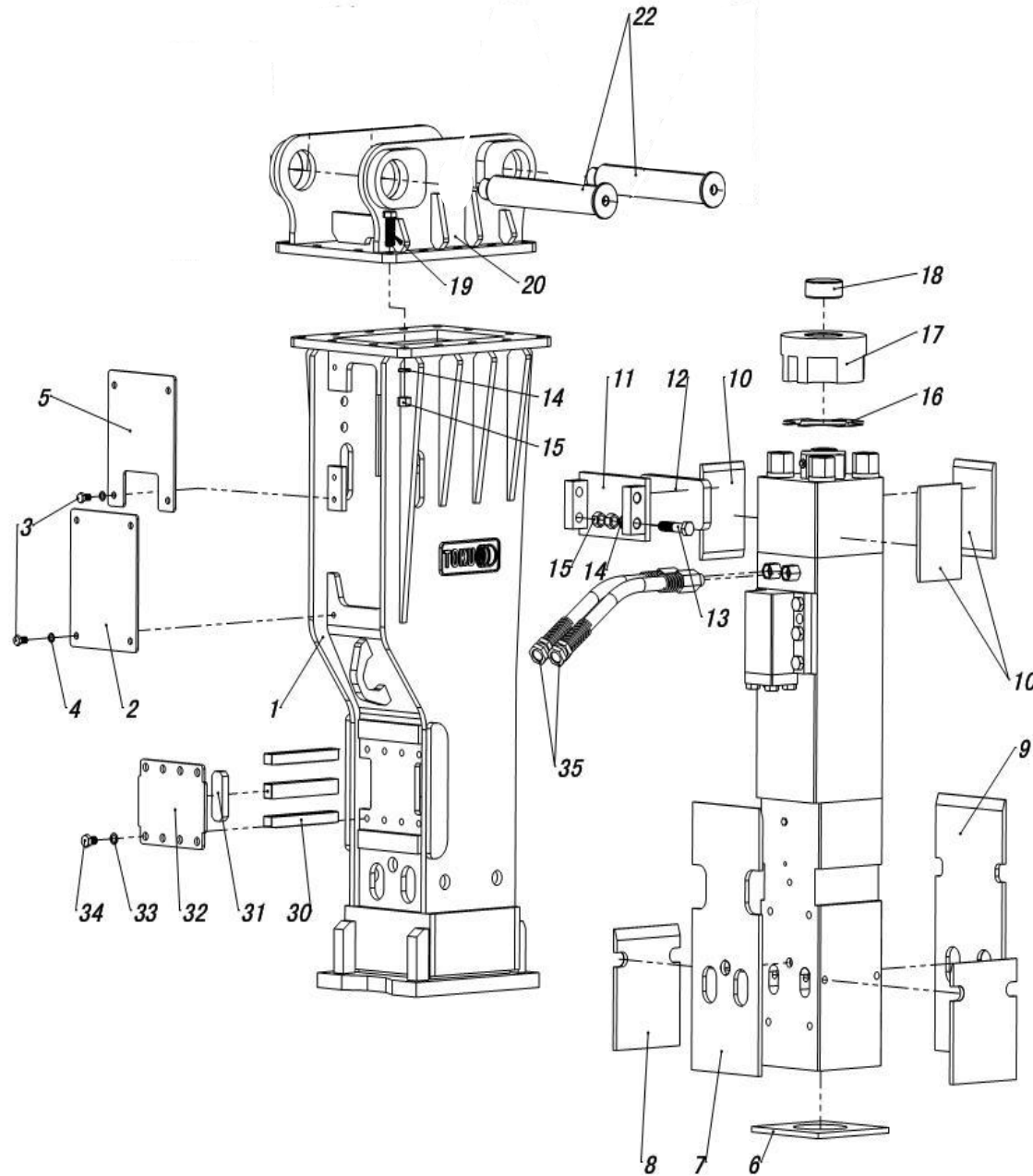


# TNB-151LU BOX BRACKET



## Parts

						No.1
Sym	Part Code	Description	Q'ty	Int	Kit	
1	BKT-151LU	BOX BRACKET CP	1			
2	151002	CONTROL VALVE PLATE	1		B	
3	BLT-M16-35	H.T BOLT [M16x35]	8		B	
4	WASHER-M16	SPRING WASHER [M16]	8		B	
5	151005	GAS VALVE COVER PLATE	1		B	
6	151006	UNDER SPACER	1		B	
7	151007-2	CHISEL HOLDER SPACER	1		B	
8	151008-2	SIDE SPACER	2		B	
9	151009-2	BACK SPACER	1		B	
10	151010	SMALL SPACER	3		B	
11	151011	GUIDE PLATE	1		B	
12	151012-2	GUIDE SPACER	1		B	
13	BLT-M24-110	H.T BOLT [M24x110]	4		B	
14	WASHER-M24	SPRING WASHER [M24]	16		B	
15	NUT-M24	H.T NUT [M24]	22		B	
16	151016	ADJUST MAT	1		B	
17	151017	ISOLATOR TOP COVER	1		B	
18	151018	NYLON POLE	1		B	
19	BLT-M24-80	H.T BOLT [M24x80]	14		B	
20	PER MACHINE MODEL	TOP CAP	1			
22	PER MACHINE MODEL	BRACKET PIN	2		T	
30	151030	ASSEMBLED LOCALIZER	2		B	
31	151031	RUBBER PLATE	2		B	
32	151032	COVER PLATE	1		B	
33	WASHER-M20	SPRING WASHER [M20]	8		B	
34	BLT-M20-30	H.T BOLT [M20x30]	8		B	
35	SGH-2109	HOSE	2			

Box Bracket CP consists of parts marked "B"

Top Cap consists of parts marked "T"

For Decal and/or Tool Box information, please contact your Dealer

INT(interchangeability)

- Interchangeable old ↔ new
- △ Interchangeable old → new
- ▲ Interchangeable old ← new
- × Not interchangeable