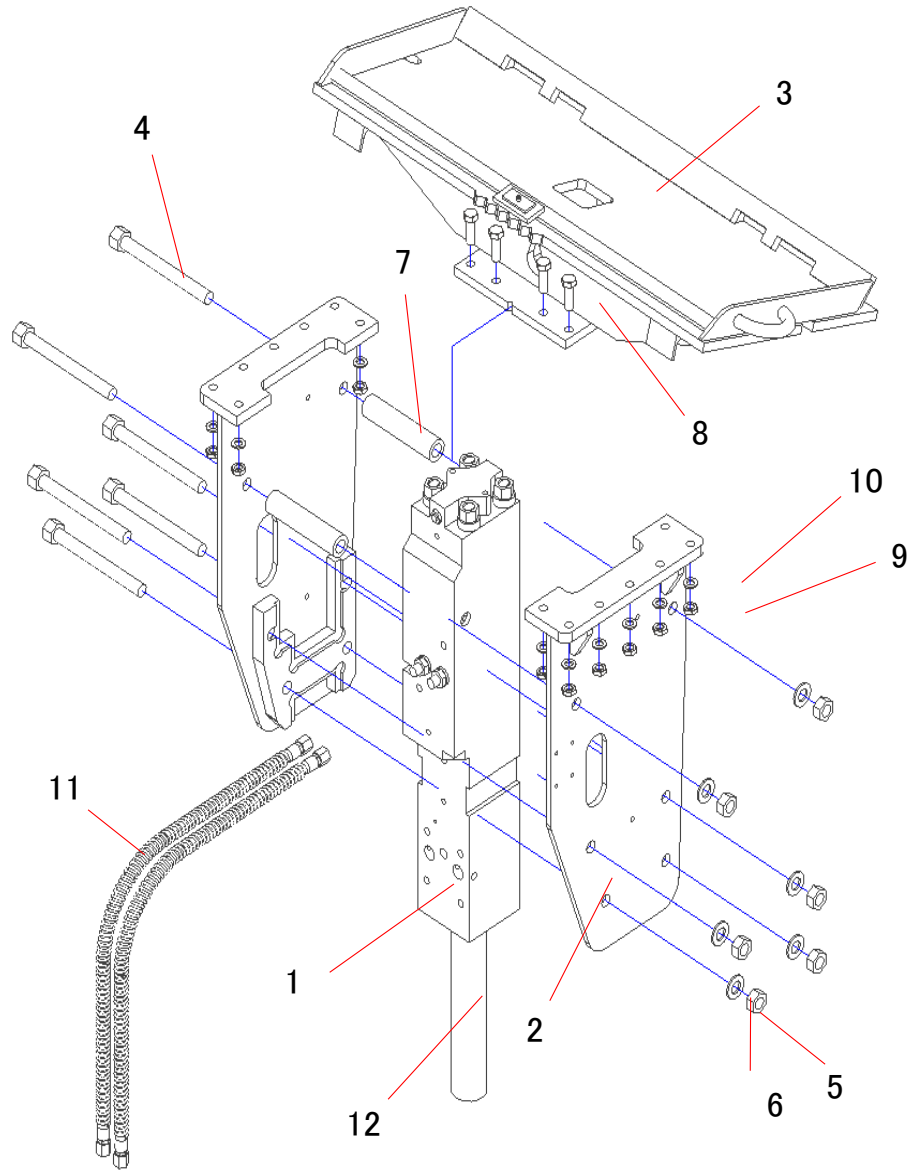


TNB-5M-SSL-D

2020/11/04
No.1



Item No.	Comp Item Code	Comp Item Description	Q'ty
1	515117	Bare Breaker, 5M	1
2	BKT-5M-FL-BD	Flange Plates, B&D, 5M	1
3	CB-5M	Skid Steer Bracket, Bolt-on, 5	1
4	BLT-M24-260	BOLT.H.T.CL 10 M24X260 (TNB-5M)	6
5	NUT-M24	Nut, High Tension Hex, M24	6
6	WASHER-M24	Washer, Ribbed, M24	6
7	SPACER-24-200	SPACER 24X200 (TNB-5M SSL, MX)	2
8	BLT-M16-55	Bolt H.T. M16 x 55 2M/3M/4M/5M	14
9	NUT-M16	NUT H.T. M16	14
10	WASHER-M16	M16 Ribbed Washer HD TY	14
11	※1	Hydraulic Hose	2
12	※1	Moil Point	1

※1・・・For Hydraulic Hose and/or Moil Point please contact Your Dealer.

※For Decal and/or Tool Box please contact Your Dealer.