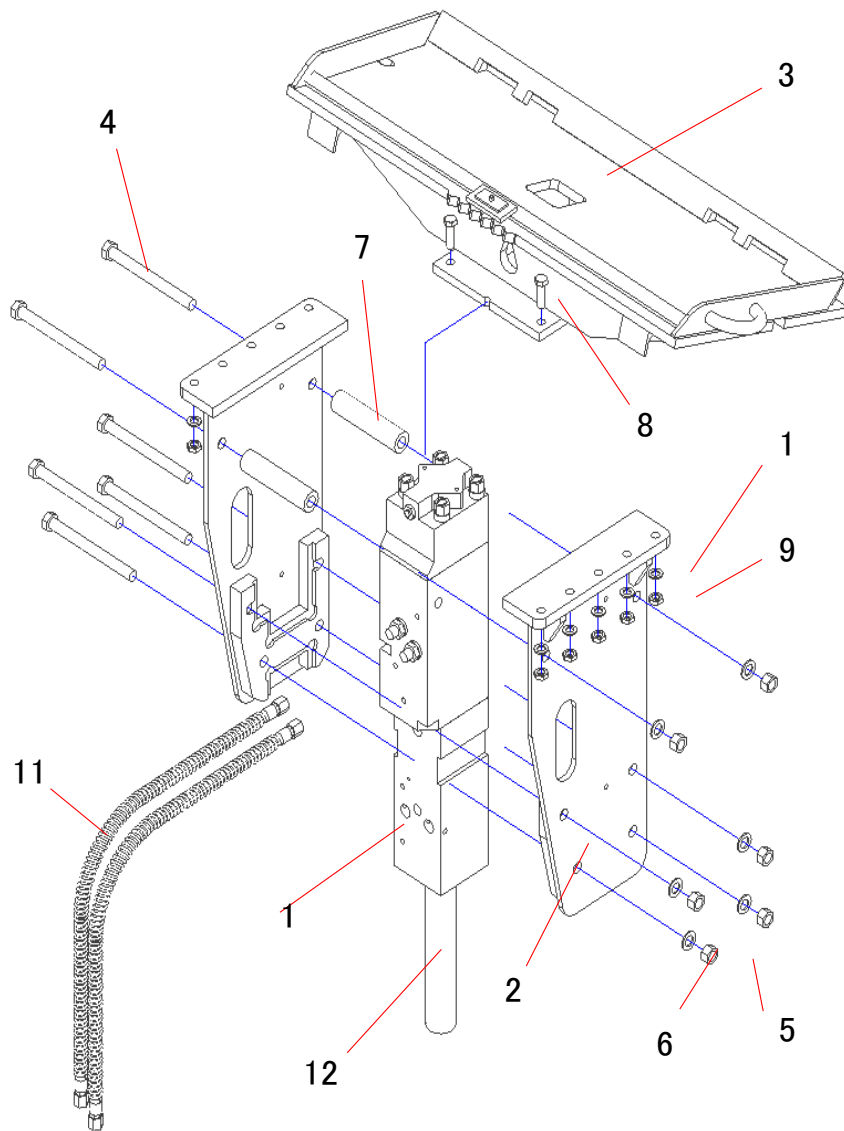


# TNB-4M-SSL-D

2020/11/04  
No.1



Item No.	Comp Item Code	Comp Item Description	Q'ty
1	515116	Bare Breaker, 4M	1
2	BKT-4M-FL-BD	Flange Plates, B&D, 4M	1
3	CB-4M-FL	Skid Steer Bracket, Bolt-on, 4	1
4	BLT-M22-240	BOLT H.T. CL.10 M22X240 4M	6
5	NUT-M22	NUT H.T. M22	6
6	WASHER-M22	M22 Ribbed Washer	6
7	SPACER-44.5-190	SPACER 44.5X190 2M/4M	2
8	BLT-M16-55	Bolt H.T. M16 x 55 2M/3M/4M/5M	10
9	NUT-M16	NUT H.T. M16	10
10	WASHER-M16	M16 Ribbed Washer HD TY	10
11	※1	Hydraulic Hose	2
12	※1	Moil Point	1

※1・・・For Hydraulic Hose and/or Moil Point please contact Your Dealer.

※For Decal and/or Tool Box please contact Your Dealer.