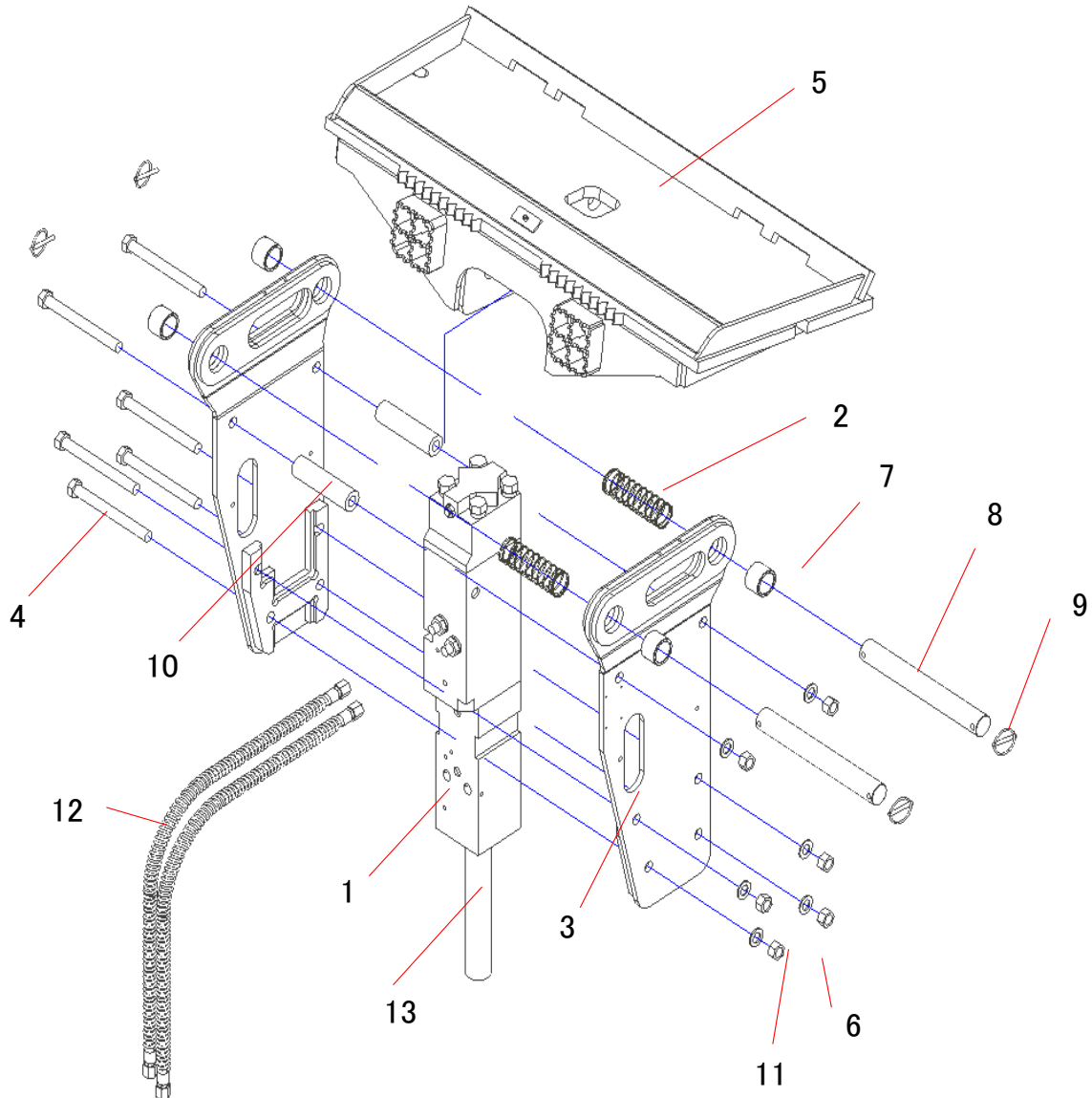


TNB-3MB-SSL

2020/11/04
No.1



Item No.	Comp Item Code	Comp Item Description	Q'ty
1	515635	Bare Breaker, 3MB	1
2	900564-9S	Steel coil spring guard. 47.5	2
3	BKT-3MB-BD	Side Plates, Oval, B&D, 3MB	1
4	BLT-M22-220	Bolt, Hex Head, M22x220	6
5	CB-1POS	Skid Steer Bracket, 1-position	1
6	NUT-M22	NUT H.T. M22	6
7	PBB57-45-0-40	BUSH CONVERSION	4
8	PBP45-360-SSL	Pin 45X360 2M/3MB/4M/5M (12430	2
9	PIN-CLIP	PIN-CLIP (Lynch Pin)	4
10	SPACER-22-165	Spacer, 22x165, 3MB Oval	2
11	WASHER-M22	M22 Ribbed Washer	6
12	※1	Hydraulic Hose	2
13	※1	Moil Point	1

※1・・・For Hydraulic Hose and/or Moil Point please contact Your Dealer.

※For Decal and/or Tool Box please contact Your Dealer.